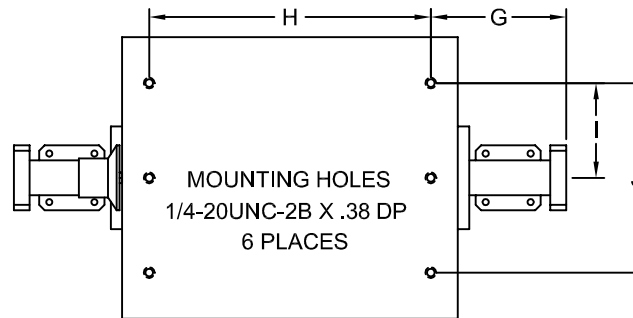


POSITION	INPUT A	INPUT B
1	OUTPUT C	OUTPUT D
2	OUTPUT C*	OUTPUT C*
3	OUTPUT D	OUTPUT C
4	OUTPUT D*	OUTPUT D*

* WITH TWO SIGNALS OF EQUAL FREQUENCY AND PHASE.

- FREQUENCY ——— See Table 1
 VSWR ——— 1.15 MAX
 INSERTION LOSS — 0.2 dB MAX
 ISOLATION ——— 30 dB MIN INPUT A TO INPUT B
 40 dB MIN INPUT A TO OUTPUT C
 40 dB MIN INPUT A TO OUTPUT D
 40 dB MIN INPUT B TO OUTPUT C
 40 dB MIN INPUT B TO OUTPUT D



- POWER ——— See Table 1
 SWITCHING TIME — 100 MS MAX
 FINISH ——— FLAT BLACK
 PRESSURE ——— 15 PSIG MAX
 OPERATING TEMPERTURE — -20 to 60 DEGREES C.

J1	D-SUB PLUG CONNECTOR
1	POS 1 COMMAND (24 VDC COMMON)
2	POS 2 COMMAND (24 VDC COMMON)
3	POS 3 COMMAND (24 VDC COMMON)
4	POS 4 COMMAND (24 VDC COMMON)
5	CMD COM (+24 VDC)
6	POS 1 IND
7	POS 2 IND
8	POS 3 IND
9	POS 4 IND
10	IND COM
11	OPEN
12	24 VDC COMMON
13	OPEN
14	+ 24 VDC, MOTOR DRIVE (1.0 AMP MAX.)
15	OPEN

THE COMBINER IS SWITCHED WHEN THE 24 VDC COMMON IS APPLIED TO PINS 1 THRU 4 ON CONNECTOR J1

TABLE 1 * Consult Factory for Electrical Performance

Part Number	EIA WR DESIGNATION	Freq. (Ghz)	Flange Type (4 Places)	RF Power Handling Each Input	Mechanical Dimensions - Tolerance +/- 0.02 "										
					A	B	C	D	E	F	G	H	I	J	K
*2350-0000 G1	WR 62	17.3-18.4	WR 62 Flat	1.5 KW	12.75	1.10	1.76	6.5	3.25	4.81	3.125	6.50	2.12	4.25	6.0
*2351-0000 G1	WR 75	12.75-14.5	WR 75 Flat	1.5 KW	12.75	1.34	2.00	6.5	3.25	4.81	3.125	6.50	2.12	4.25	6.0
2352-0000 G1	WR 75	13.75-14.5	WR 75 Flat	1.5 KW	12.75	1.34	2.00	6.5	3.25	4.81	3.125	6.50	2.12	4.25	6.0
2353-0000 G1	WR 112	7.9-8.4	UG 51/U	1.5 KW	13.75	1.77	3.63	6.5	3.25	4.81	3.63	6.50	2.12	4.25	6.0
2354-0000 G1	WR 137	5.85-6.425	CPR137F	3.0 KW	17.04	2.04	4.00	6.5	3.25	4.81	4.21	8.63	2.12	4.25	6.0
2355-0000 G1	WR 159	5.85-6.425	CPR159F	3.0 KW	17.04	2.04	4.00	6.5	3.25	4.81	4.21	8.63	2.12	4.25	6.0
*2356-0000 G1	WR 137	5.85-6.650	CPR137F	3.0 KW	17.04	2.04	4.00	6.5	3.25	4.81	4.21	8.63	2.12	4.25	6.0

MC S MICROWAVE COMPONENTS & SYSTEMS
 MARLBORO MA 01752

**4 POSITION 24 VDC
 D-SUB CONNECTOR
 POWER COMBINER**

PART NUMBER		REV
SEE TABLE 1		A
FILE: VRPC4	DATE: 11/30/99	