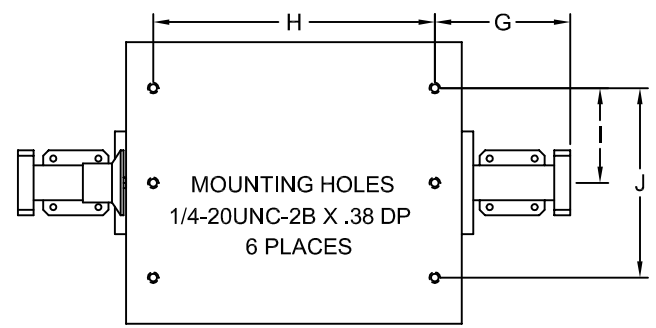
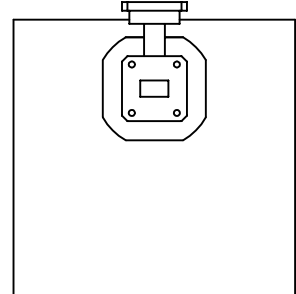
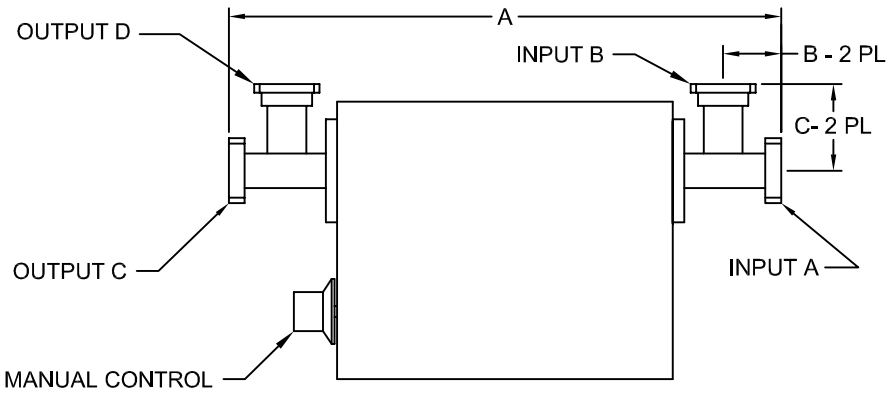


POSITION INDICATOR
SEE FIGURE 1



- FREQUENCY ——— See Table 1
- VSWR ——— 1.15 MAX
- INSERTION LOSS — 0.2 dB MAX
- ISOLATION ——— 30 dB MIN INPUT A TO INPUT B
- 40 dB MIN INPUT A TO OUTPUT C
- 40 dB MIN INPUT A TO OUTPUT D
- 40 dB MIN INPUT B TO OUTPUT C
- 40 dB MIN INPUT B TO OUTPUT D

- POWER ——— See Table 1
- FINISH ——— FLAT BLACK
- PRESSURE ——— 15 PSIG MAX
- OPERATING TEMPERATURE — -20 to 60 DEGREES C.

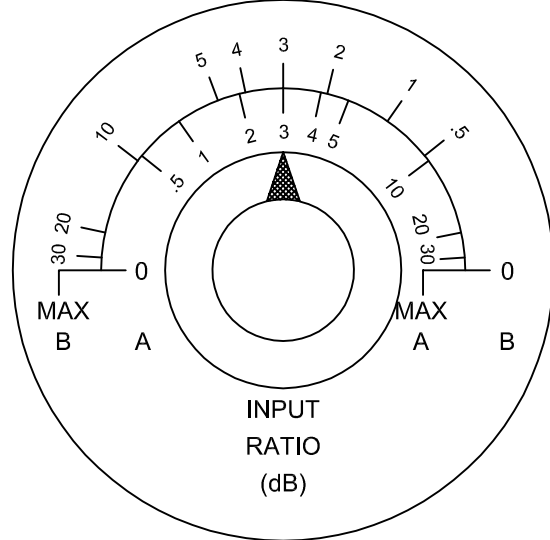


Figure #1

TABLE 1 * Consult Factory for Electrical Performance

Part Number	EIA WR DESIGNATION	Freq. (Ghz)	Flange Type (4 Places)	RF Power Handling Each Input	Mechanical Dimensions - Tolerance +/- 0.02 "										
					A	B	C	D	E	F	G	H	I	J	K
*3016-0000 G1	WR 62	17.3-18.4	WR 62 Flat	1.5 KW	12.75	1.10	1.76	6.5	3.25	4.81	3.125	6.50	2.12	4.25	6.0
*3109-0000 G1	WR 75	12.75-14.5	WR 75 Flat	1.5 KW	12.75	1.34	2.00	6.5	3.25	4.81	3.125	6.50	2.12	4.25	6.0
3101-0000 G1	WR 75	13.75-14.5	WR 75 Flat	1.5 KW	12.75	1.34	2.00	6.5	3.25	4.81	3.125	6.50	2.12	4.25	6.0
3102-0000 G1	WR 112	7.9-8.4	UG 51/U	1.5 KW	13.75	1.77	3.63	6.5	3.25	4.81	3.63	6.50	2.12	4.25	6.0
3103-0000 G1	WR 137	5.85-6.425	CPR137F	3.0 KW	17.04	2.04	4.00	6.5	3.25	4.81	4.21	8.63	2.12	4.25	6.0
3104-0000 G1	WR 159	5.85-6.425	CPR159F	3.0 KW	17.04	2.04	4.00	6.5	3.25	4.81	4.21	8.63	2.12	4.25	6.0
*3108-0000 G1	WR 137	5.85-6.650	CPR137F	3.0 KW	17.04	2.04	4.00	6.5	3.25	4.81	4.21	8.63	2.12	4.25	6.0

MC S MICROWAVE COMPONENTS & SYSTEMS
MARLBORO MA 01752

**VARIABLE POWER
COMBINER OR DIVIDER**

PART NUMBER		REV
SEE TABLE 1		A
FILE: VRPC3	DATE: 11/30/99	