

FEATURES:

- * EXCELLENT DIRECTIVITY
- * HIGH POWER HANDLING
- * LOW INSERTION LOSS
- * 5 POINT CALIBRATION STICKER SUPPLIED
- * COUPLERS MAY BE CONFIGURED AS BOTH FORWARD BOTH REVERSE OR ONE FORWARD & ONE REVERSE.

SPECIFICATIONS:

COUPLING 30,40 OR 50 DB STANDARD
OTHER VALUES AVAILABLE.

COUPLING ACCURACY +/- 1.0 DB

COUPLING FLATNESS 0.25 DB MAX.

DIRECTIVITY 25 DB MIN.

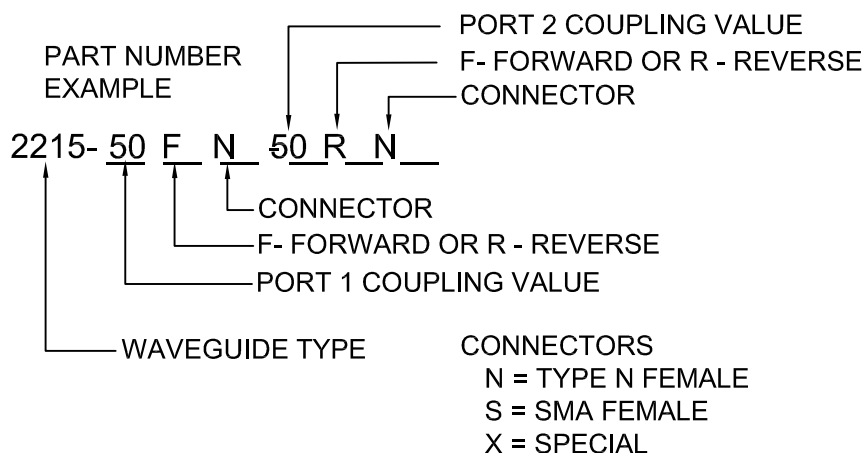
INSERTION LOSS < 0.05 DB

FLANGES PER TABLE

CONNECTORS - TYPE N FEMALE OR SMA FEMALE

PRESSURE 5 PSIG.

TOLERANCE ± 0.020 INCHES



WR	FREQ.	P/N	FLANGE	DIM. IN INCHES			
				A	B	C	D
WR 75	13.75- 14.5 GHz	2205-XXX-XXX	WR75 FLAT	1.59	1.74	1.58	4.50
WR 112	7.9-8.4 GHz	2516-XXX-XXX	WR112FLAT	1.83	3.36	1.63	5.00
WR 137	5.85-6.425 GHz	2505-XXX-XXX	WR137 CPRG	2.24	3.32	2.00	6.00
WR 159	5.85-6.425 GHz	2169-XXX-XXX	WR159 CPRG	1.83	3.10	1.89	6.00
WR 229	3.7-4.2 GHz	2519-XXX-XXX	WR229 CPRG	2.23	4.42	2.29	7.50

NOTE : OTHER FREQUENCY BANDS, COUPLING VALUES AND WAVEGUIDE SIZES AVAILABLE.

MICROWAVE COMPONENTS AND SYSTEMS
583 BERLIN ROAD MARLBORO MA

CROSSGUIDE COUPLER

	OUTLINE NO. SEE TABLE	REV A
FILE: COUPLERCGDUAL	DATE 12/20/99	SHEET: 1 OF 1